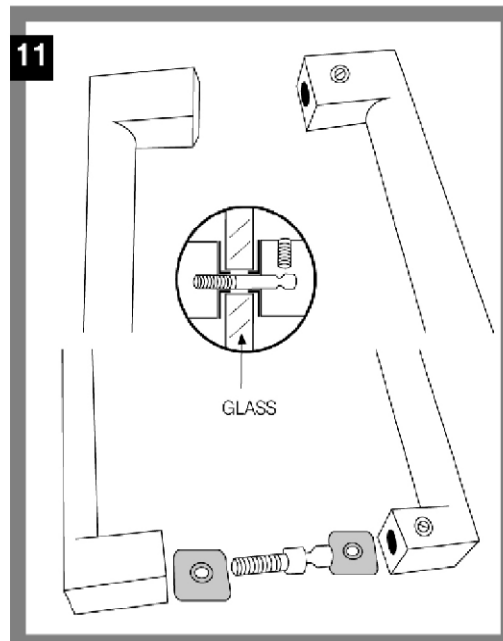
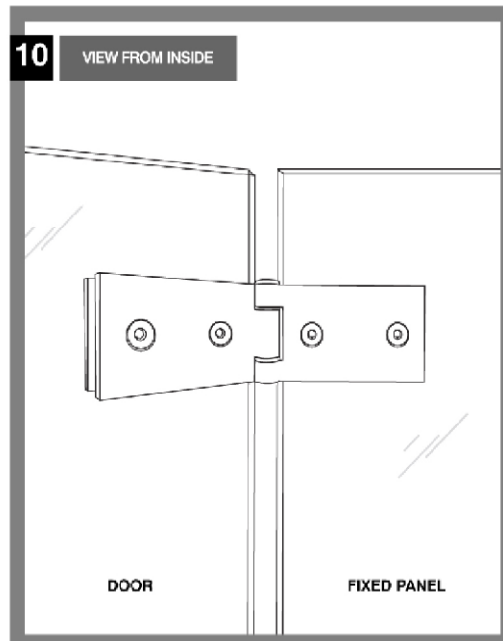
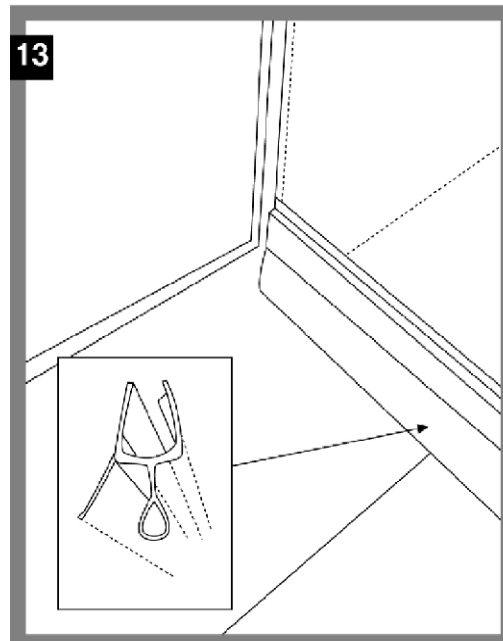
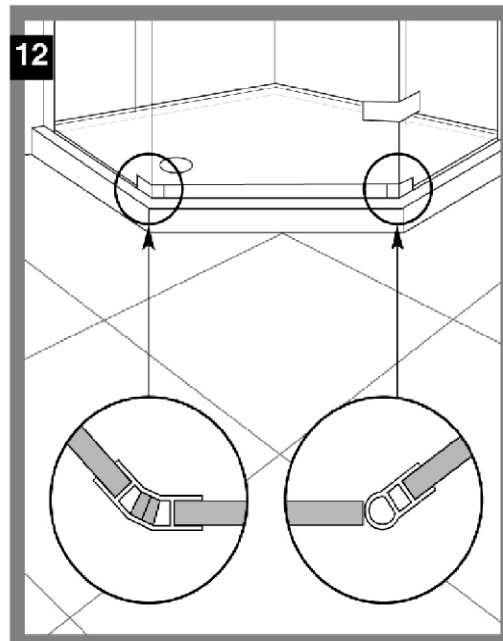


- 11 Fit the door handle as shown in the diagram. The grub screws are positioned facing the hinge on the inside.
- 12 Carefully close the door and check the alignment of the magnetic seals between door edge and fixed panel. Ensure that the faces of each magnet are directly opposite each other. Note: Fine adjustments can be made to ensure a good closing action by slackening off the allen screws on the back of each hinge and moving the glass within the hinges (refer to step 11).
- 13 Fit the lower sealing strip to the bottom edge of the glass door (refer to diagram).



- 14 Ensure all screws are properly tightened and then refit the cover strips (B) to the back of the wall mounting profiles (C). Fit cover caps to top of wall mounting profiles.



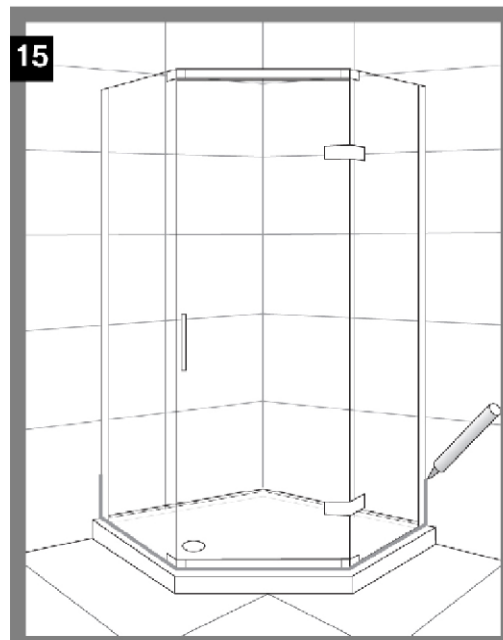
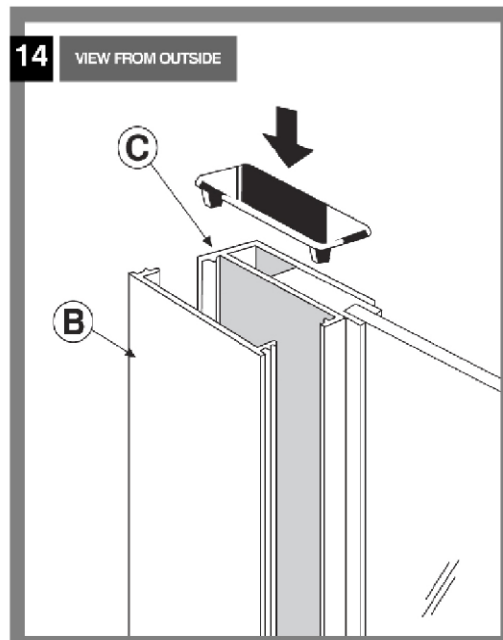
- 15 **SILICONE SEALING**  
clean and degrease tray/ floor before sealing.

**INSIDE**  
Apply a continuous small bead of silicone sealant to the vertical wall mounting profile to wall joints.

**DO NOT SEAL THE LOWER HORIZONTAL OF THE WALL MOUNTING PROFILES ON THE INSIDE TO ENSURE THAT ANY WATER DRAINS BACK INTO THE TRAY/WET AREA.**

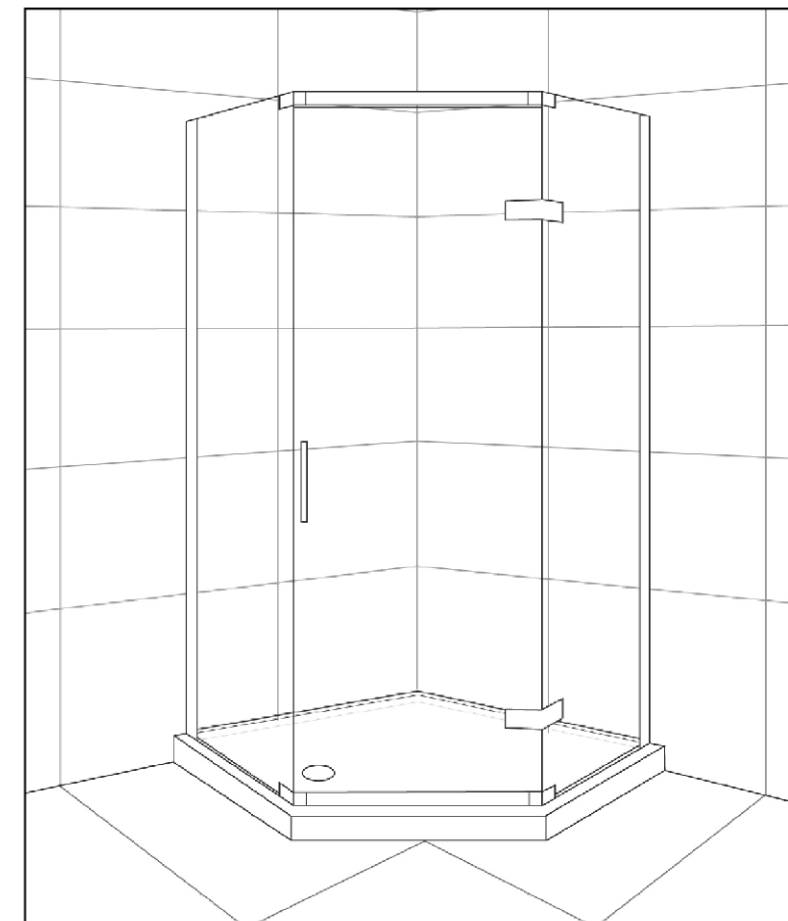
Seal the glass along the inside up to the cleat, but do not seal the cleat on the inside at all.

**OUTSIDE**  
Apply a continuous bead of silicone to the lower edge joint of enclosure and shower tray from wall to wall. Also seal vertically up the wall mounting profile on each side to a height of 100mm. Ensure a good seal is made and there are no pin holes.



**DO NOT USE THE SHOWER ENCLOSURE FOR 24 HOURS TO ENSURE SILICONE IS FULLY CURED AND WATERPROOF.**

**AQATA**®  
SHOWER ENCLOSURES



## Spectra SP500 Quintet Hinged Door

INSTALLATION INSTRUCTIONS

Issue 2 - February 2013

**We recommend the shower tray is fitted correctly and sealed, prior to tiling.  
Tile down onto the tray and re-seal before installing shower enclosure.**

# SPECTRA SP500 QUINTET HINGED DOOR

## TWO MAN INSTALLATION

Ensure that shower enclosure area is tiled prior to installation.

### Equipment required for installation

Power drill, 6mm masonry drill bit, tape measure, ruler, pencil, masking tape, sanitary grade silicone sealant, rubber mallet, posidrive screwdriver / bits, spirit level and the fitting kit supplied.

Please open boxes with care and notify your supplier immediately if anything is damaged.  
Please do not discard packaging. Repack carefully if necessary.

### 1. GENERAL INSTRUCTIONS

Ensure that the shower area is tiled prior to installing this shower door.

For wet room applications ensure the area is professionally sealed and flat where the shower door meets the floor or walls. If fitting onto a shower tray follow manufacturer`s installation instructions. Ensure the tray is level using a spirit level on at least two diagonals. Check the tray has been sealed correctly and sealant is cured before attempting to install the enclosure. We recommend sealing the tray prior to tiling, tiling down onto tray rim and then re-sealing. The floor area around the tray should also be sealed and waterproof.

### 2. FITTING THE WALL MOUNTING PROFILES

The adjustable wall mounting profiles have concealed fixings. On the fixed hinge panel (this is the panel with holes in it) remove cover strips (B) from wall mounting profiles (A).

3. Remove captive screws and separate wall mounting profiles (C) from panel (D).

4. Locate the wall mounting profile in the correct position, approximately 10mm in from the edge of the tray (as shown in diagram). Plumb true with a spirit level. Place three horizontal strips of masking tape onto the tiles in line with the three pre drilled slots in the wall mounting profile, check for vertical again and mark through slots with a pencil. Also mark the tape at side of profile. Drill and plug the wall. Remove masking tape and relocate the wall mounting profile. Using the plastic tube from the fixing kit to hold the stainless steel screws provided, insert a posidrive screwdriver into the tube to locate the head of each screw. Locate the screw into the wall plug through the wall mounting profile and tighten. Re check with spirit level before tightening screws fully.

5. Repeat operation 2,3,4,and 5 to fit the wall profile for the closing side fixed panel.

6. Slide the fixed hinged panel into its wall mounting profile. Re-position captive screws through the wall mounting profile into the pre drilled holes in the frame of the panel, but do not tighten fully at this point. Repeat the procedure for the closing side fixed panel.

### 7. FITTING THE LOWER AND UPPER RAILS

Take the bottom rail and fit it (downwards) over the lower cleats on the fixed panels, At this stage it will be necessary to adjust the fixed panels within their wall profiles to get the correct dimension between the fixed panels for the rail. Loosen captive screws on each wall mounting profile, move each fixed panel to its correct position, fit bottom rail over cleats and fit screws through bottom rail into cleats on each side. Fit the upper rail (upwards) onto the top cleats on the fixed panels and fit the screws through the upper rail into the fixed panel cleats on each side.

To align the door glass (in it's closed position) parallel to the lower rail, it may be necessary to ease the bottom cleat(s) away from fixed glass panels.

8. Once the upper and lower rails have been fitted, check to make sure that both fixed panels are parallel to the outside edges of the shower tray and that the lower rail is parallel to the front edge of the shower tray. Adjust the panels as required and then tighten up captive screws on both sides.

### 9. FITTING THE HINGES AND DOOR GLASS

Carefully take the hinges from their wrapping, undo the two allen screws and remove the backing plates. Attach the hinges to the fixed panel of the shower enclosure through the holes in the glass and refit backing plates onto fixed glass side only with the allen screws. Do not fully tighten at this point. Important note: The female part of the hinge attaches to the fixed glass of the enclosure; the male part will attach to the door glass. Please refer to diagram.

10. With assistance from a second person, locate the door glass onto the male parts of the hinge. There is a sticker on the glass to indicate the top edge. Reposition the backing plates onto the male parts of the hinges and refit the allen screws.

